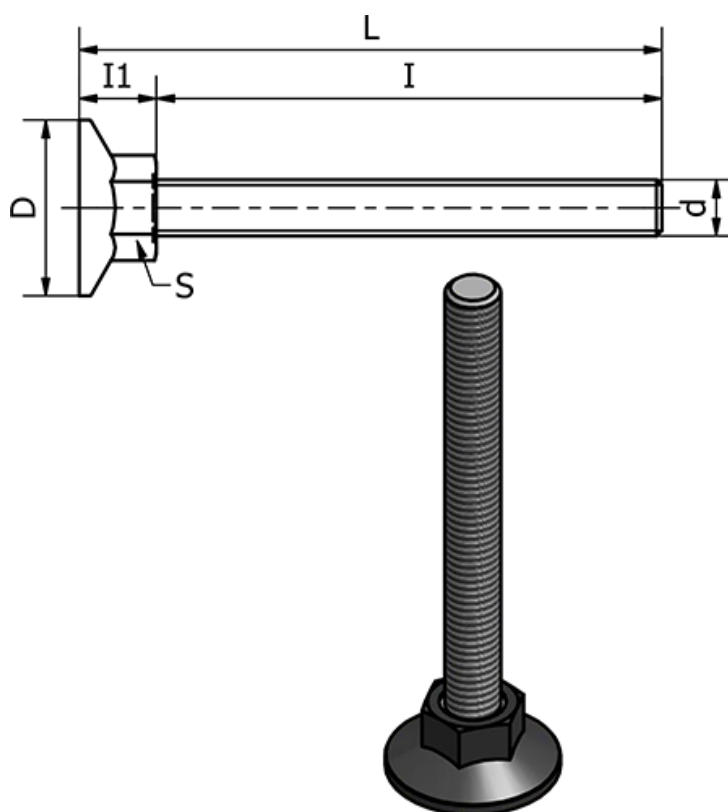


Article number: 2310431045

Description: E+G Levelling elements
LX.40-SW17-M10X60

Measures



d = M10

D = 40

I = 60

I1 = 13

L = 72.5

S = 17

Static load in (N) = 3000

Type = Forzinket

Weight (g) = -